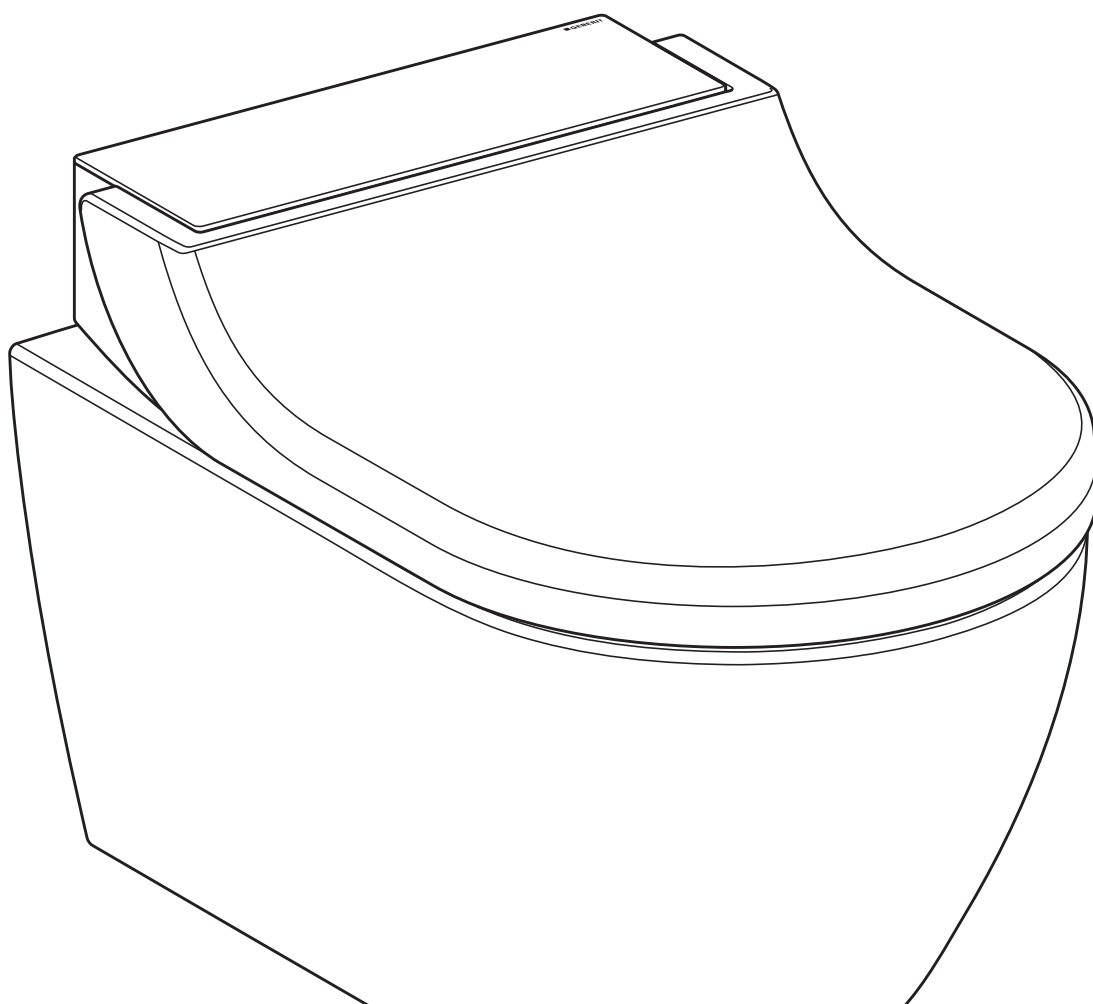
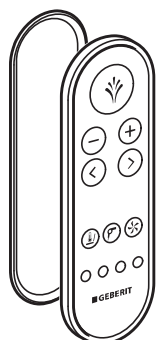


GEBERIT AQUACLEAN TUMA COMFORT/CLASSIC

GEBERIT

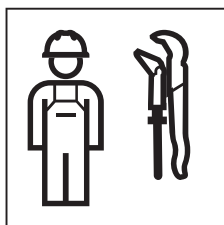


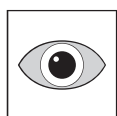
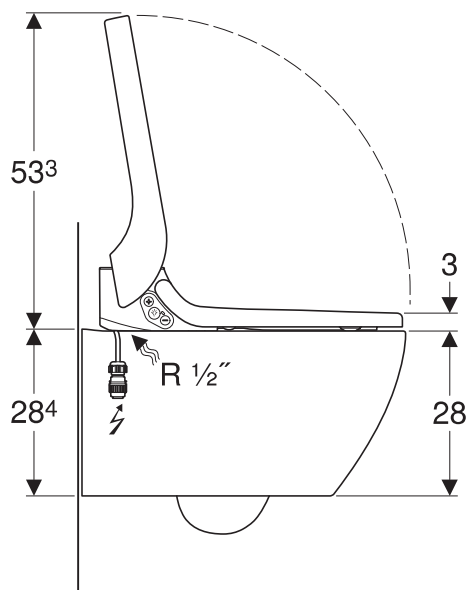
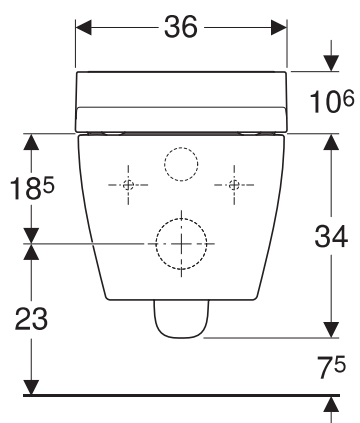
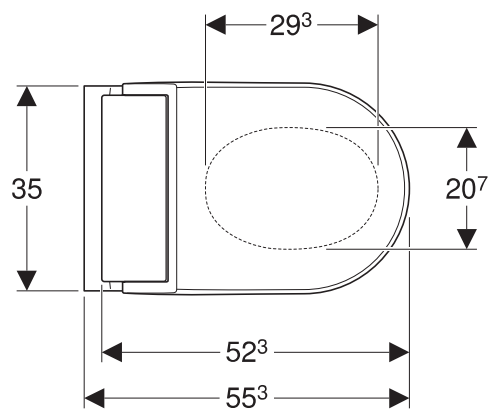
INSTALLATION MANUAL

MONTAGEANLEITUNG
INSTRUCTIONS DE MONTAGE
ISTRUZIONI PER IL MONTAGGIO

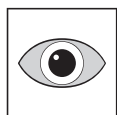
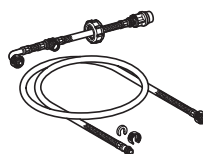


967.304.00.0(04)

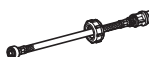




Omega/Kappa, H: 98/82 cm

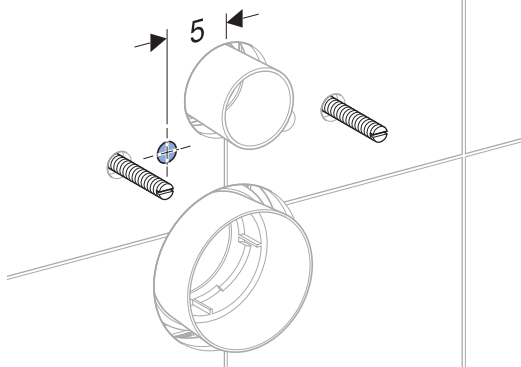
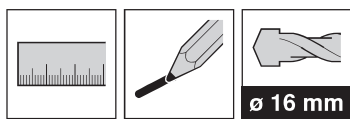


Omega PEX

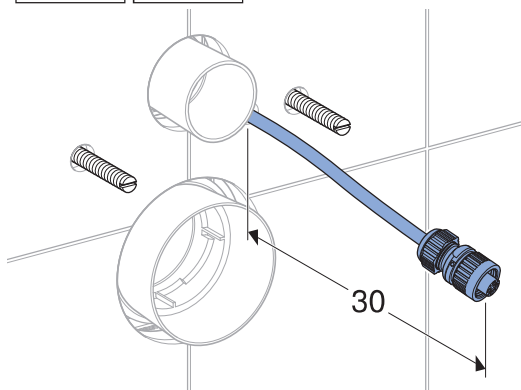
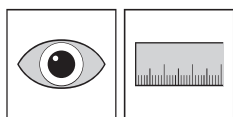




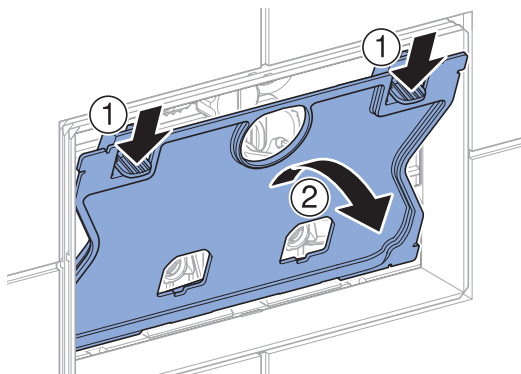
1



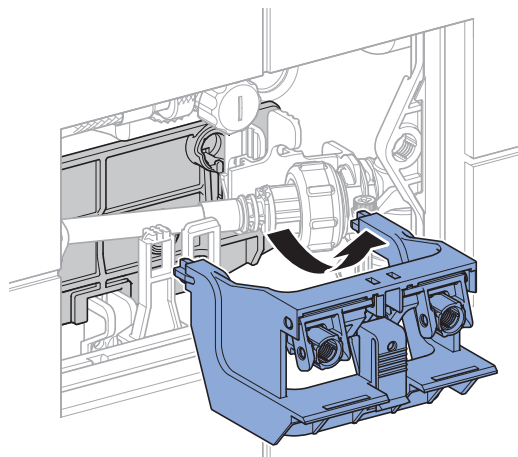
2



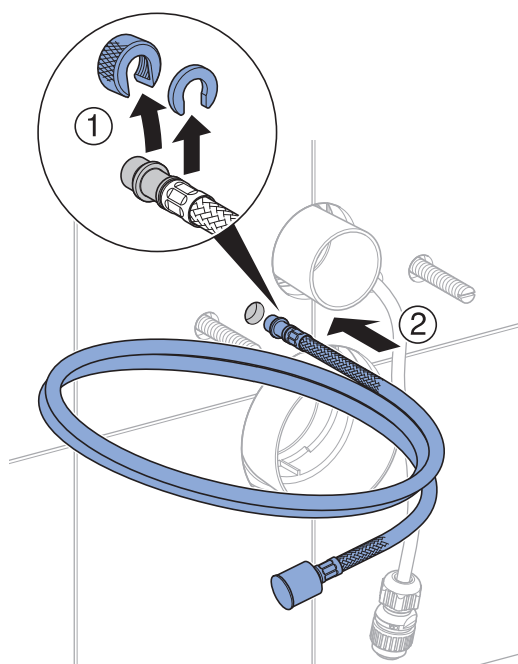
3



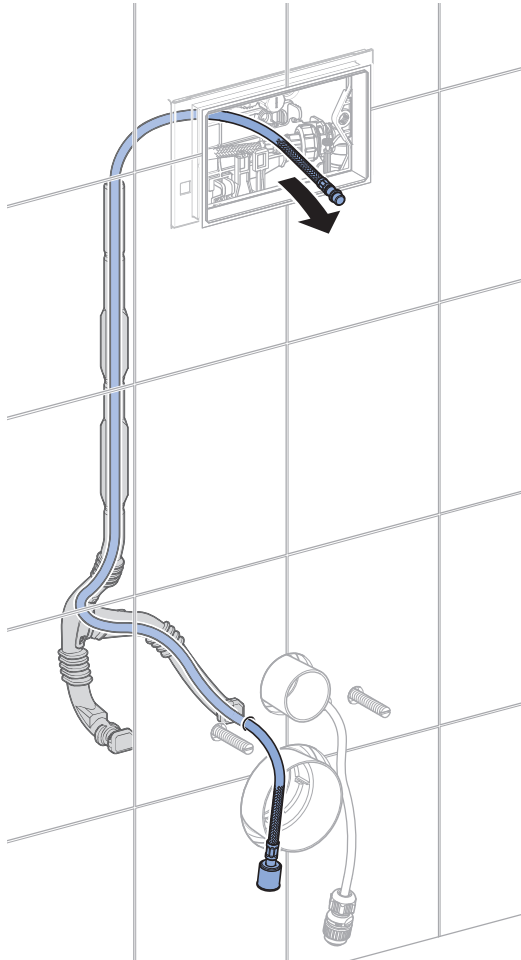
4



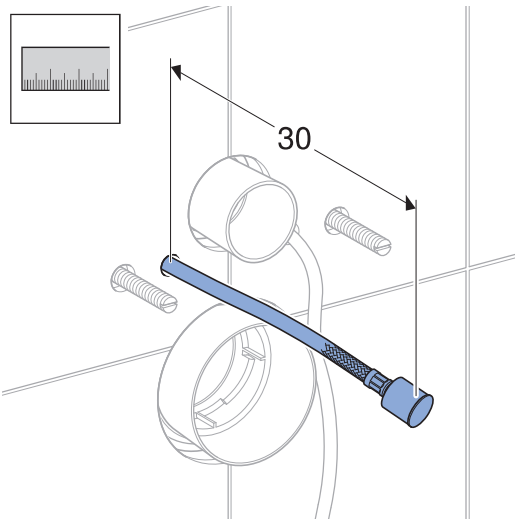
5



6

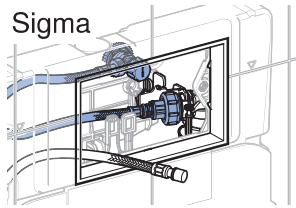


✓



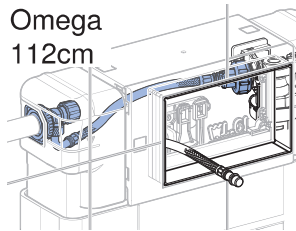
2

Sigma



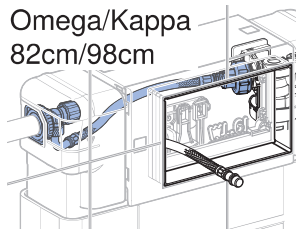
2 A 8

Omega
112cm



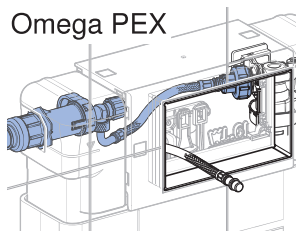
2 B 9

Omega/Kappa
82cm/98cm



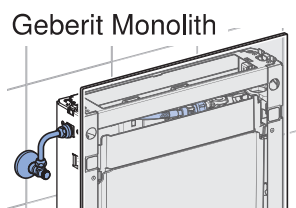
2 C 10

Omega PEX



2 D 11

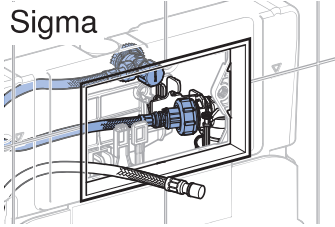
Geberit Monolith



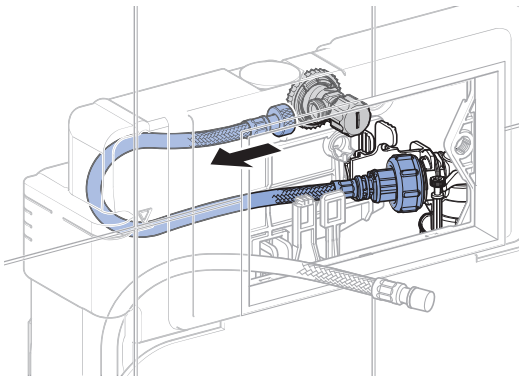
2 E 12

2 A

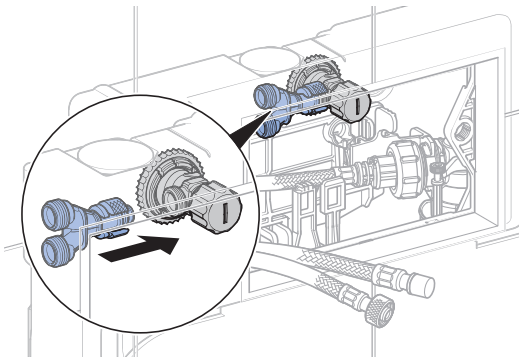
✓



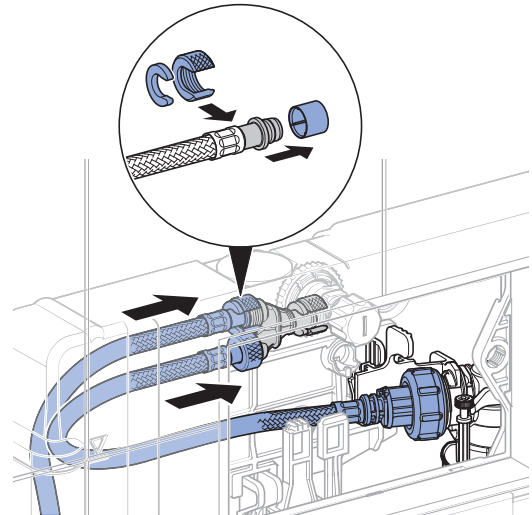
1



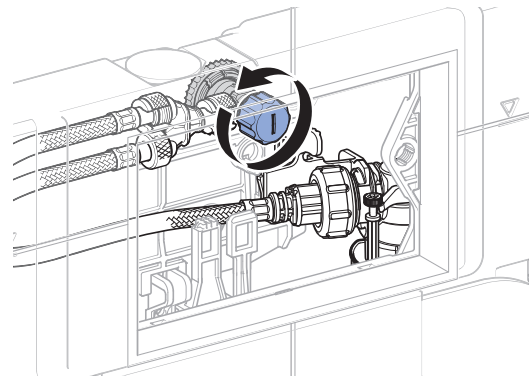
2



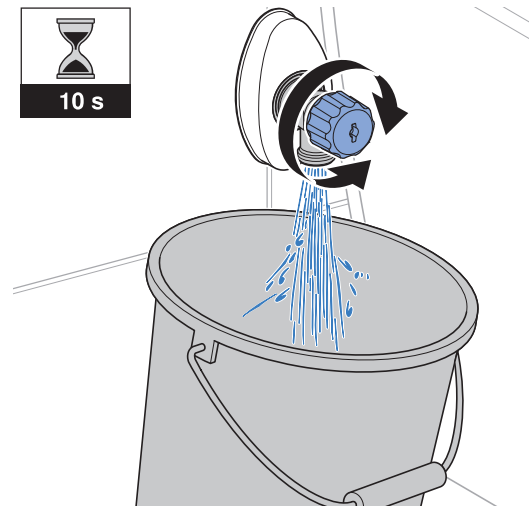
3



4



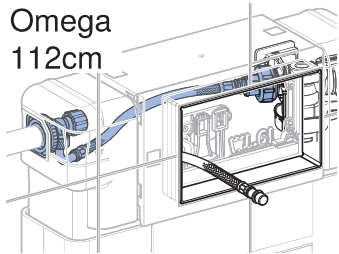
5



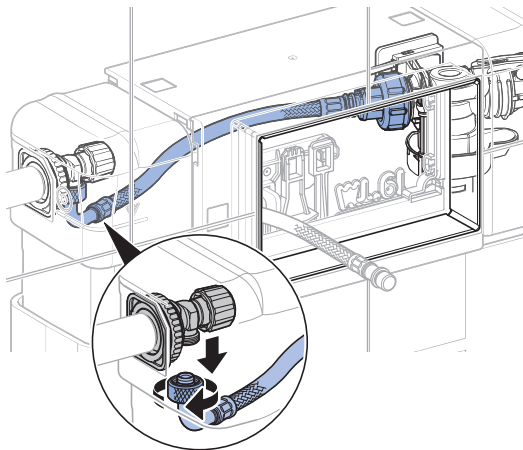
2 B

✓

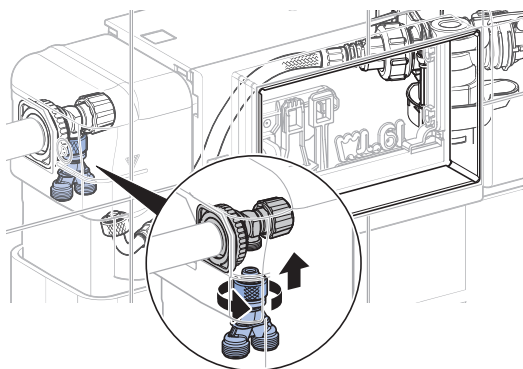
Omega
112cm



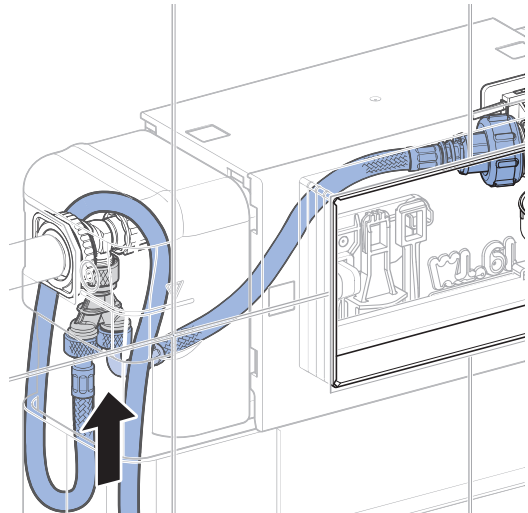
1



2



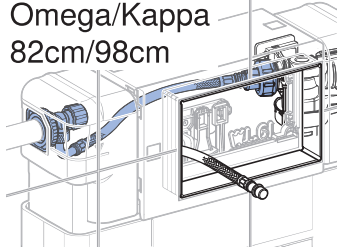
3



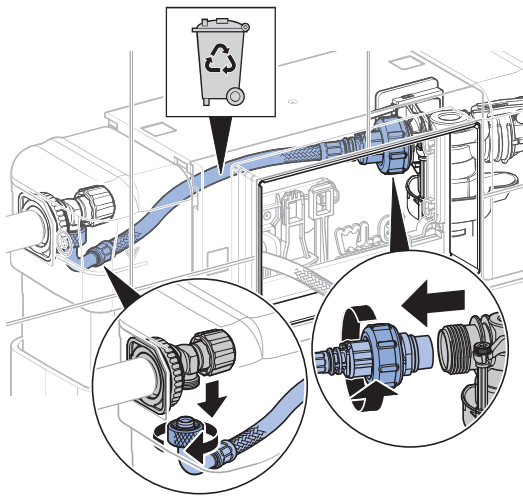
2 C

✓

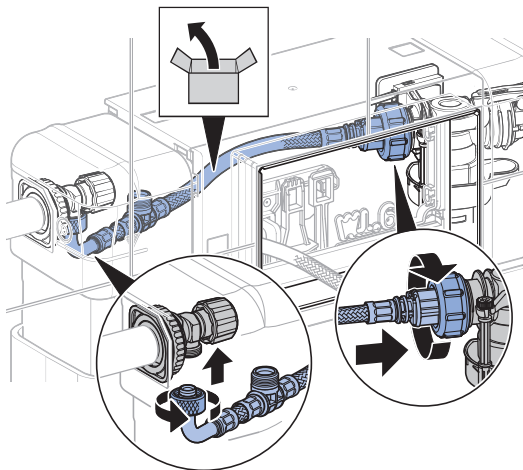
Omega/Kappa
82cm/98cm



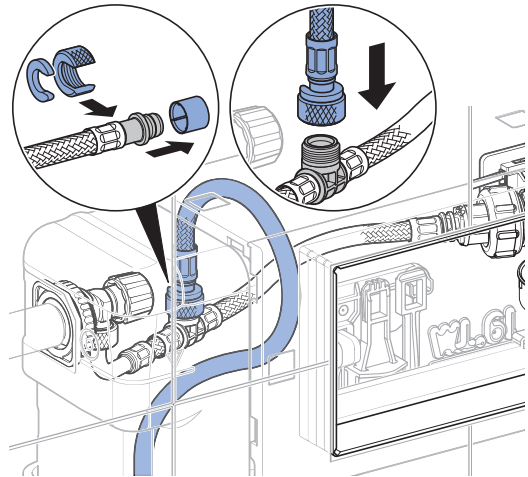
1



2



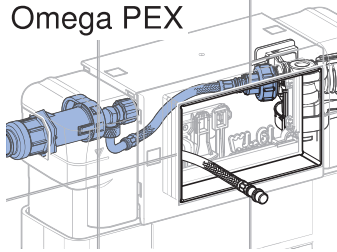
3



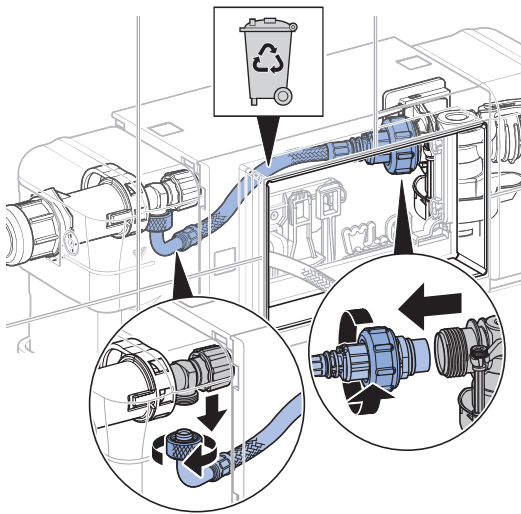
2 D

✓

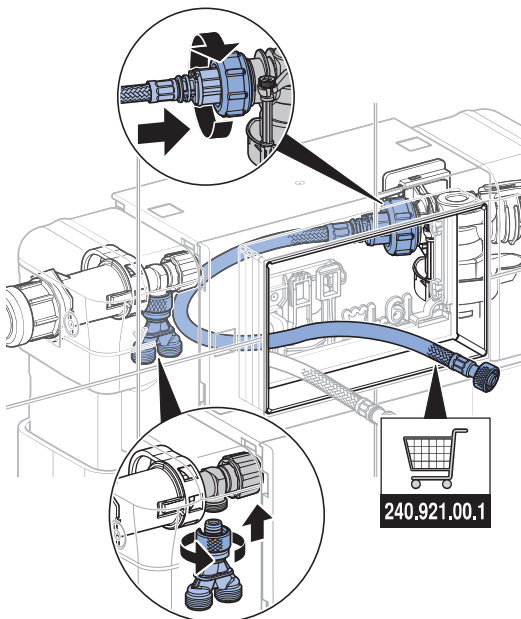
Omega PEX



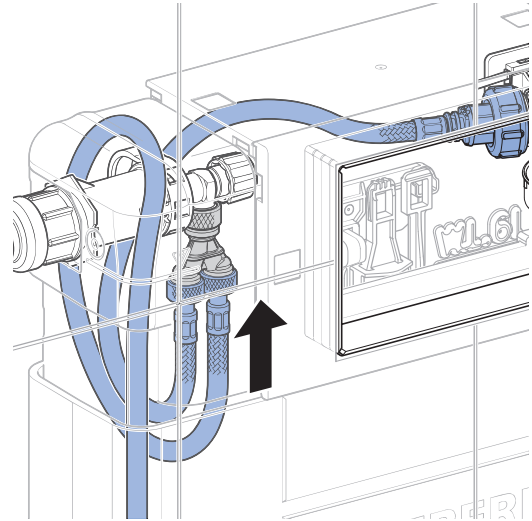
1



2



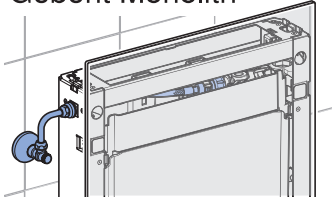
3



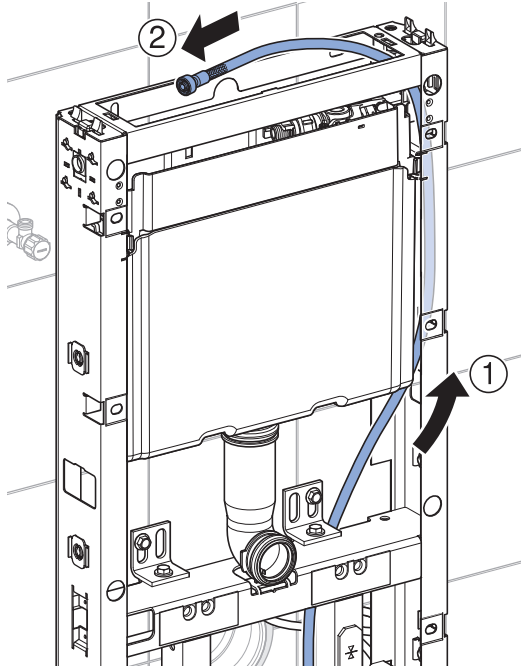
2 E

✓

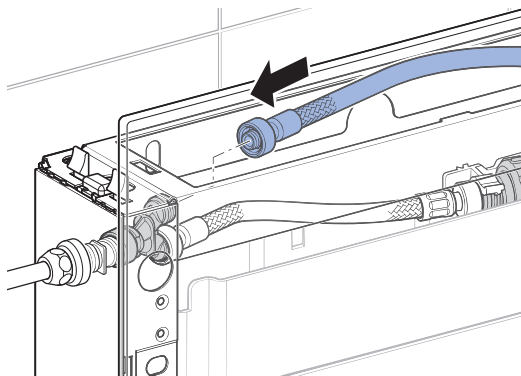
Geberit Monolith



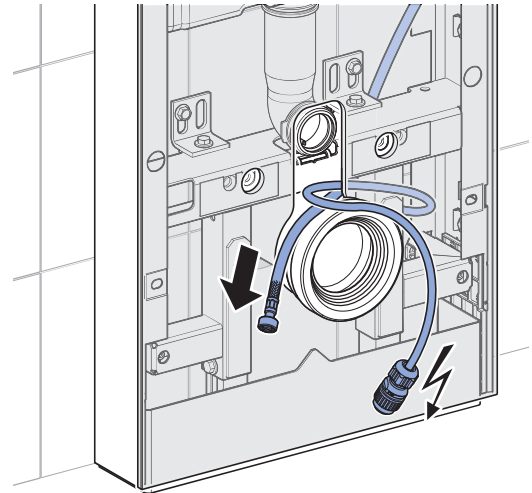
1



2

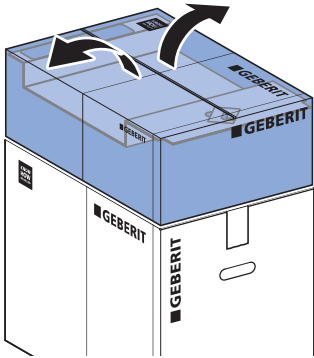


3

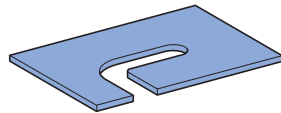
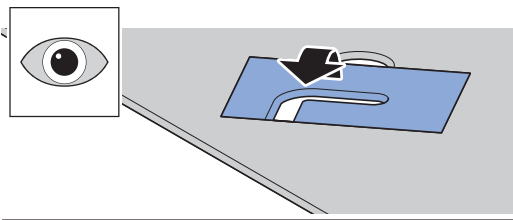
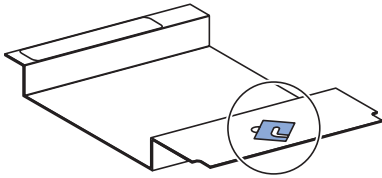


3

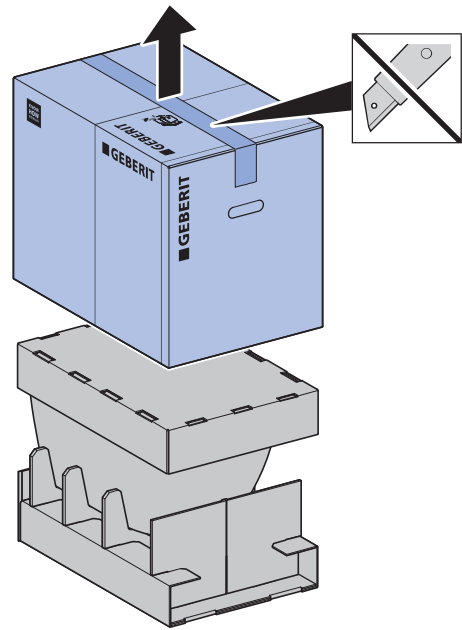
1



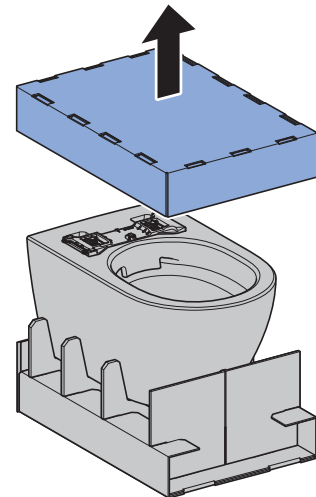
2



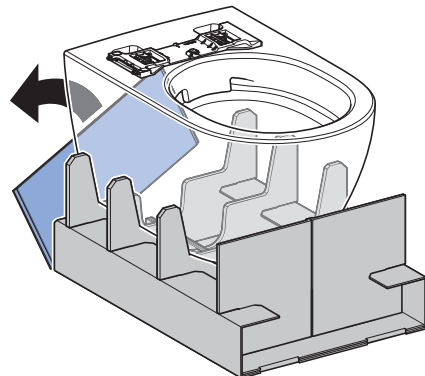
3



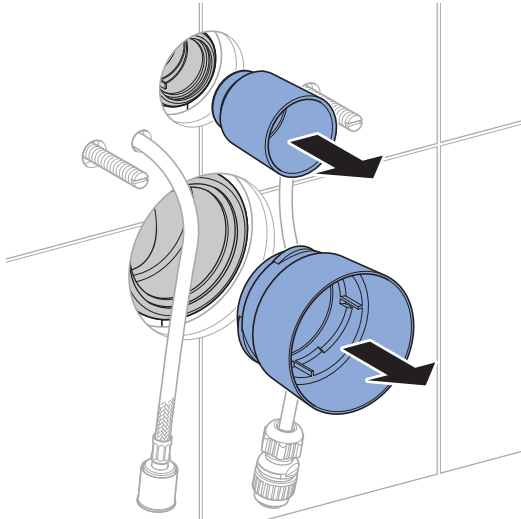
4



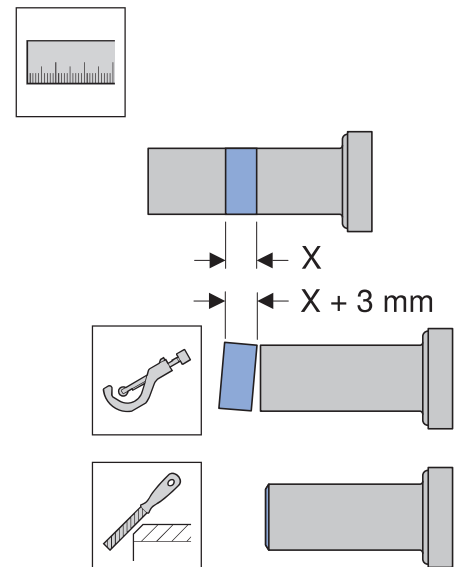
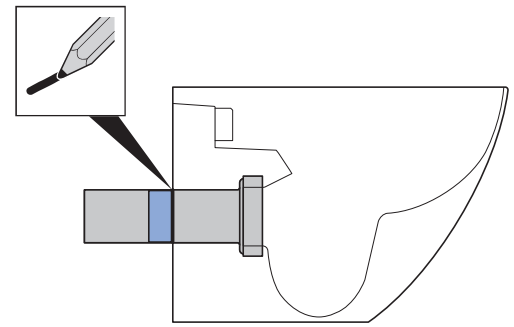
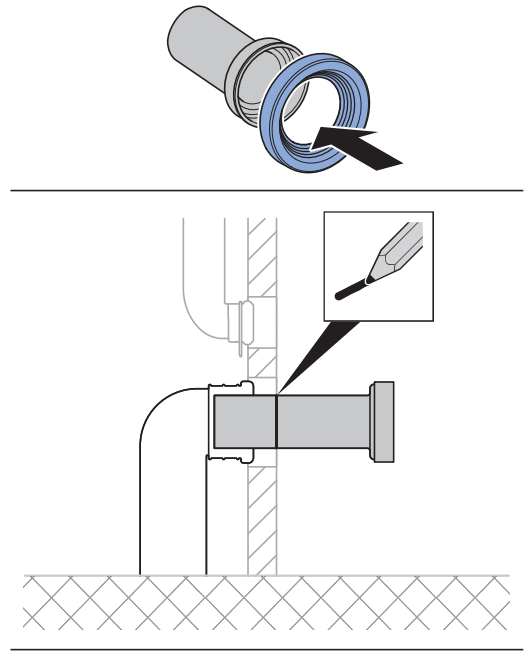
5



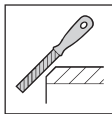
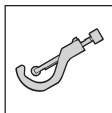
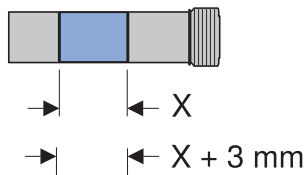
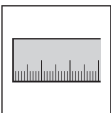
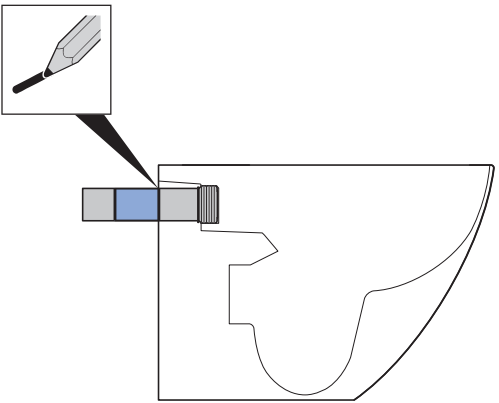
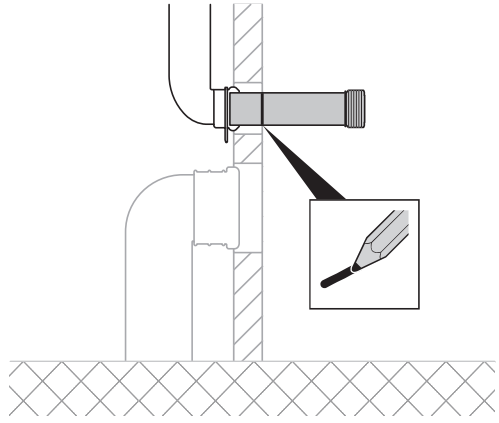
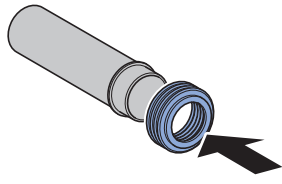
6



7

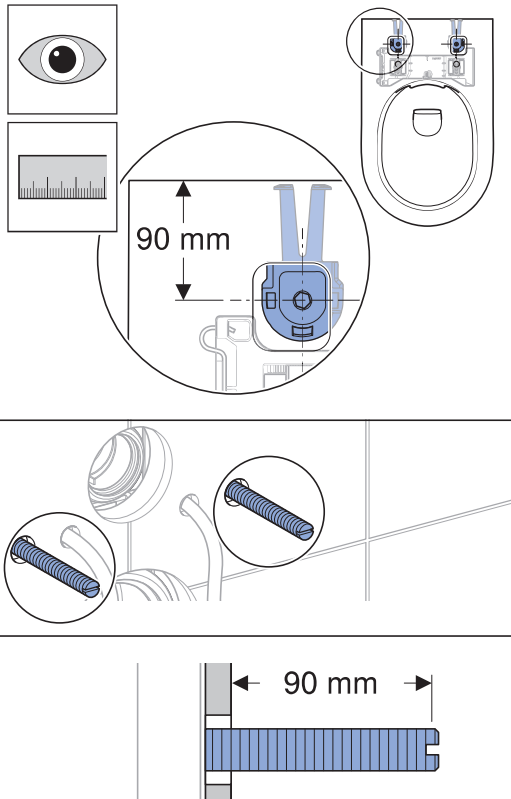


8

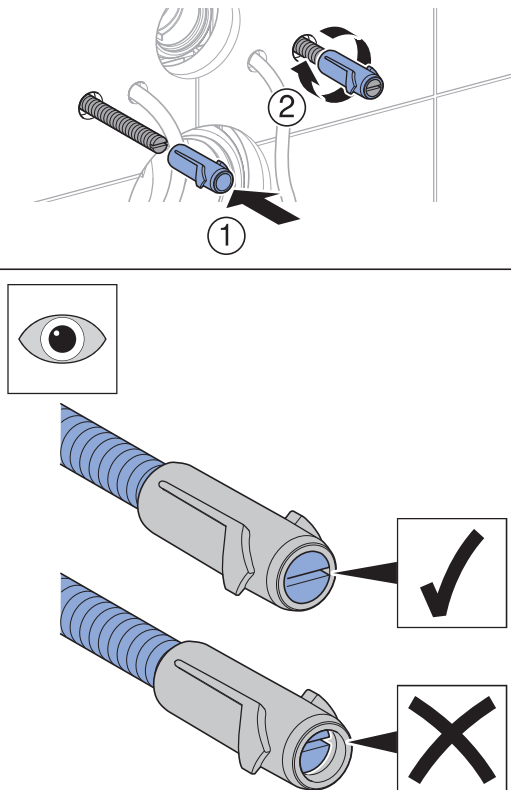


4

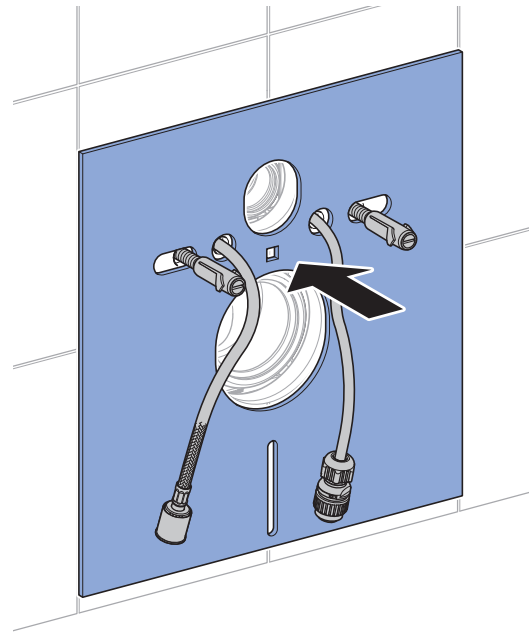
1



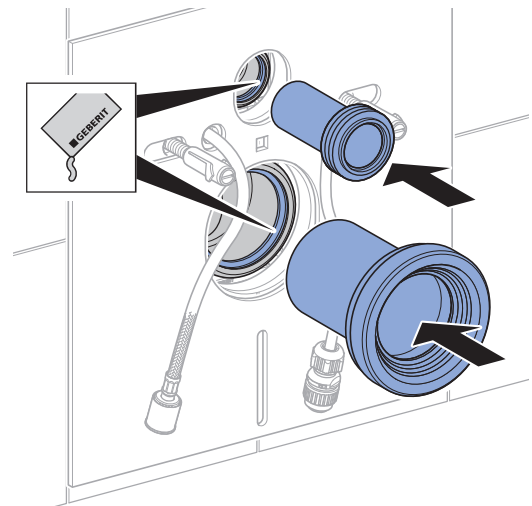
2



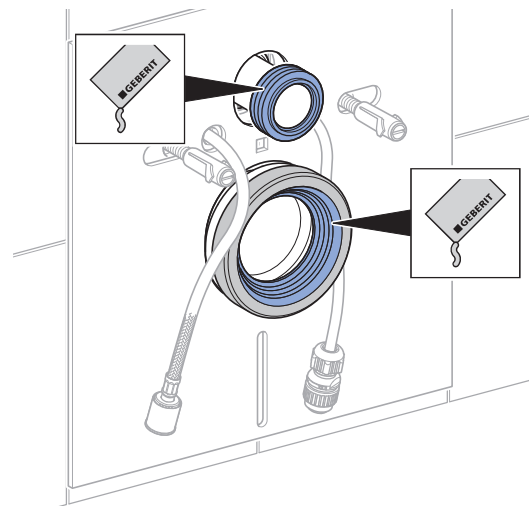
3



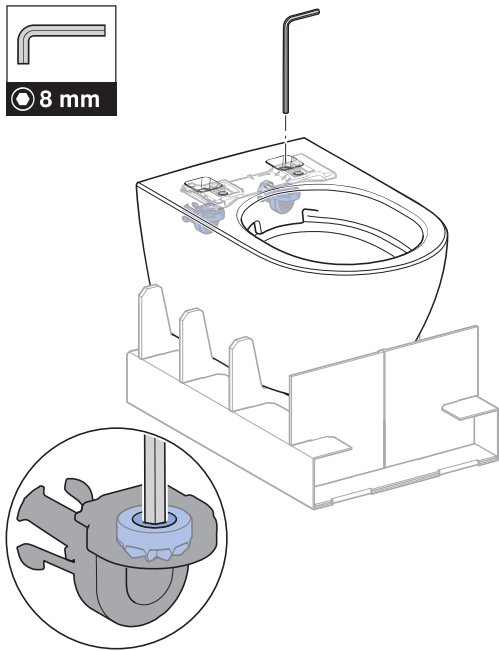
4



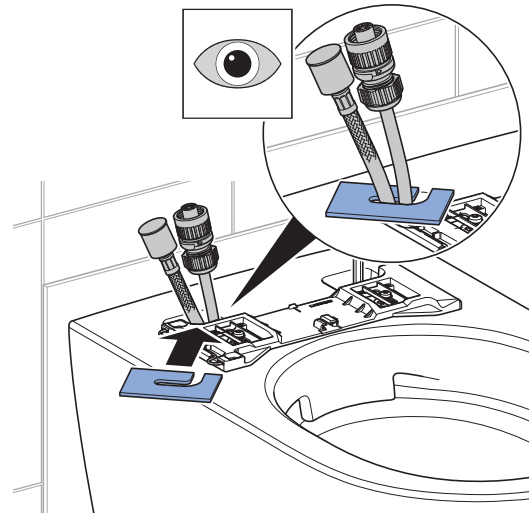
5



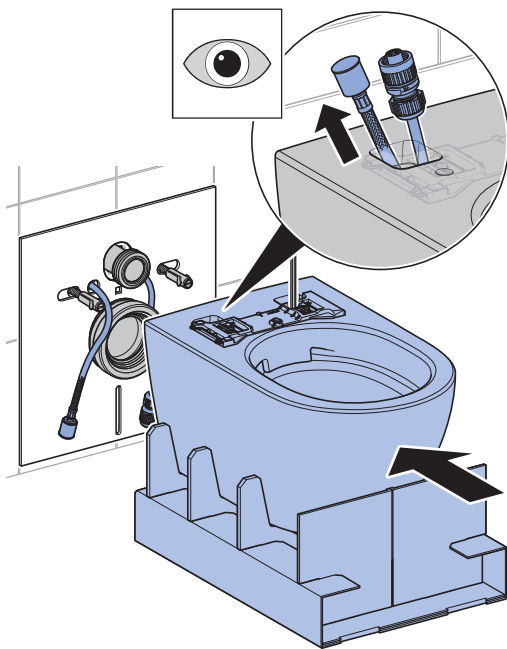
6



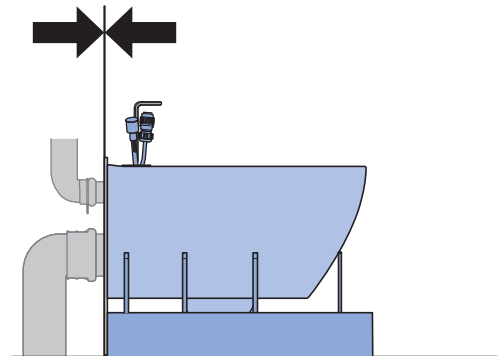
8



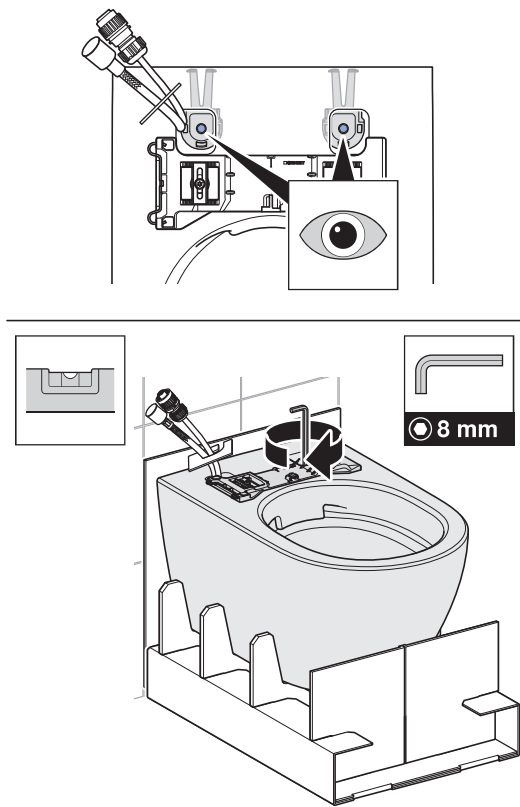
7



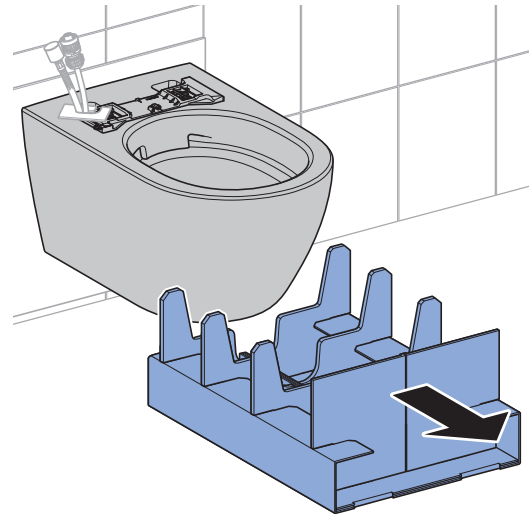
9



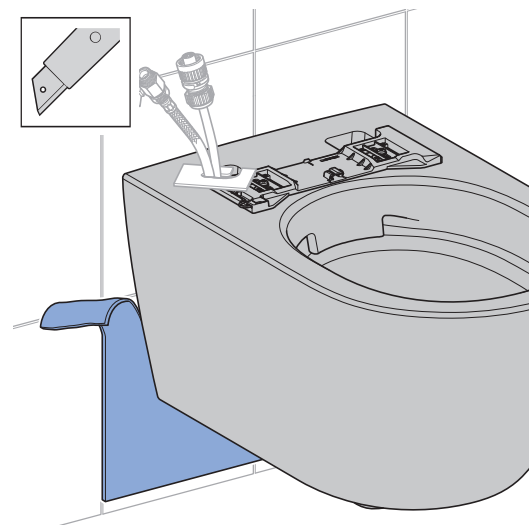
10



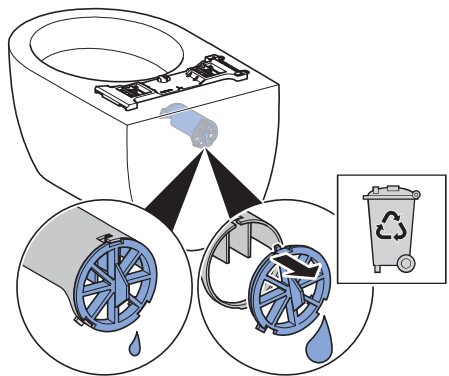
11



12

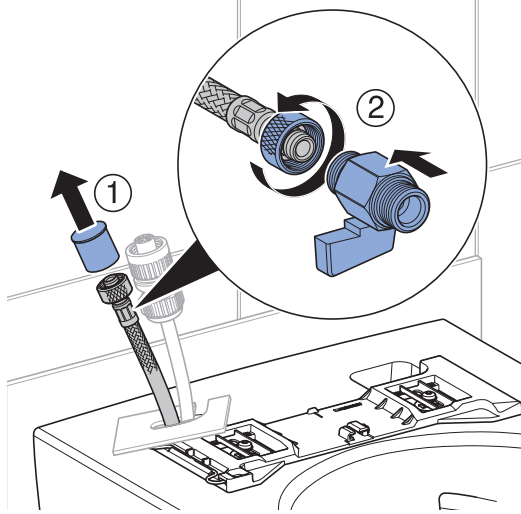


i

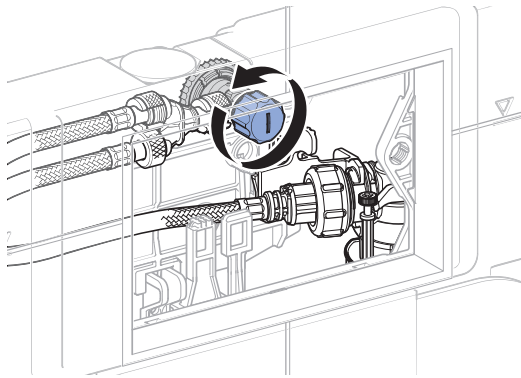


5

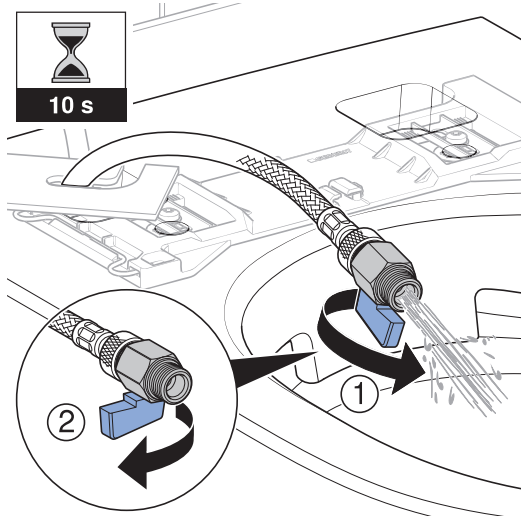
1



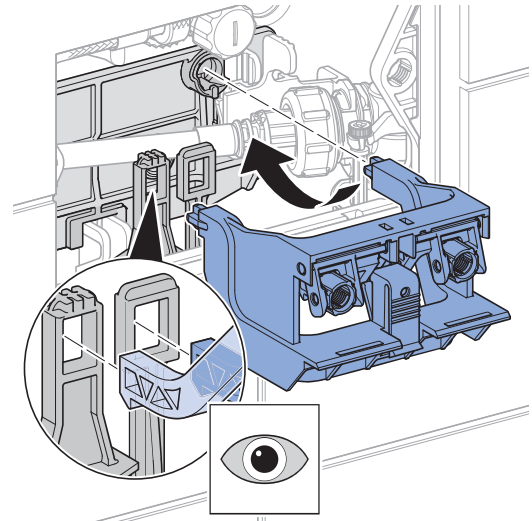
2



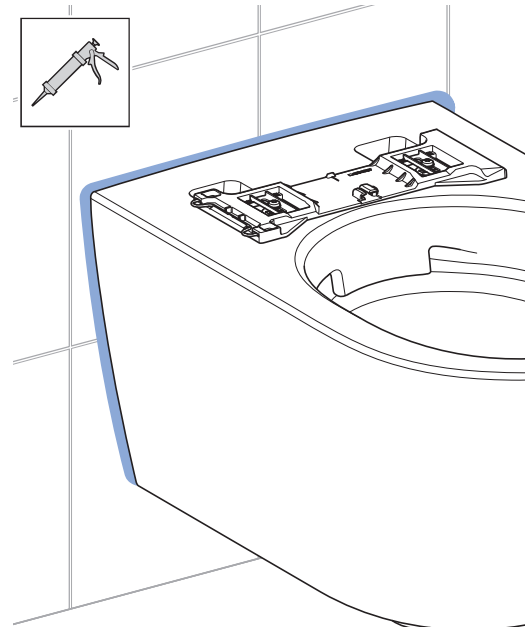
3



4

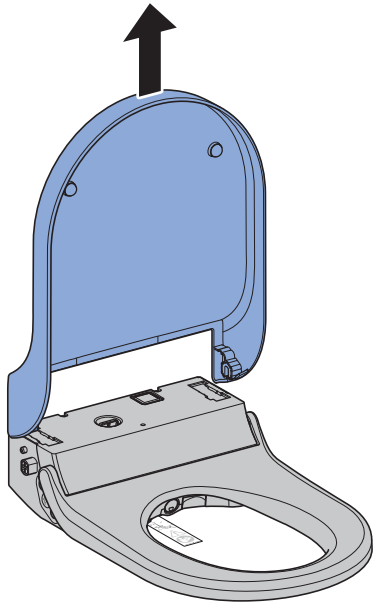


i

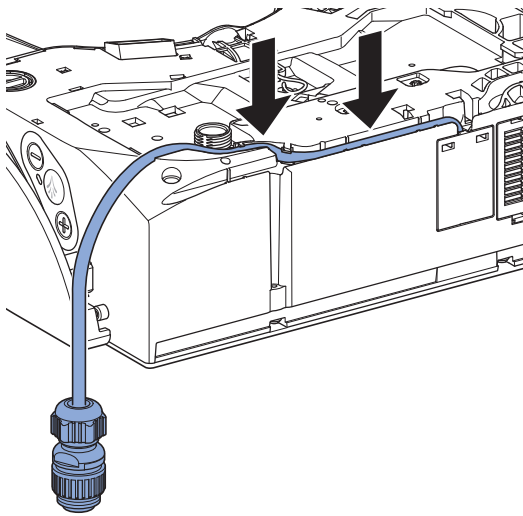


6

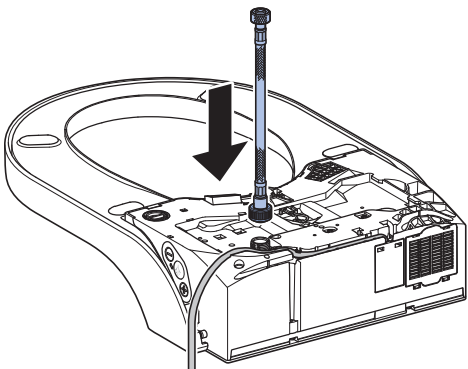
1



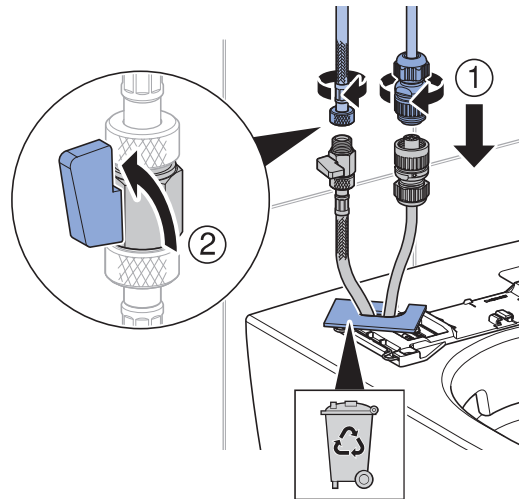
2



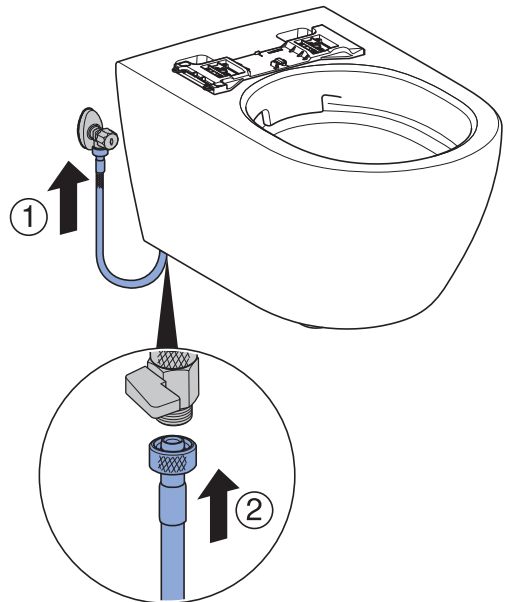
3



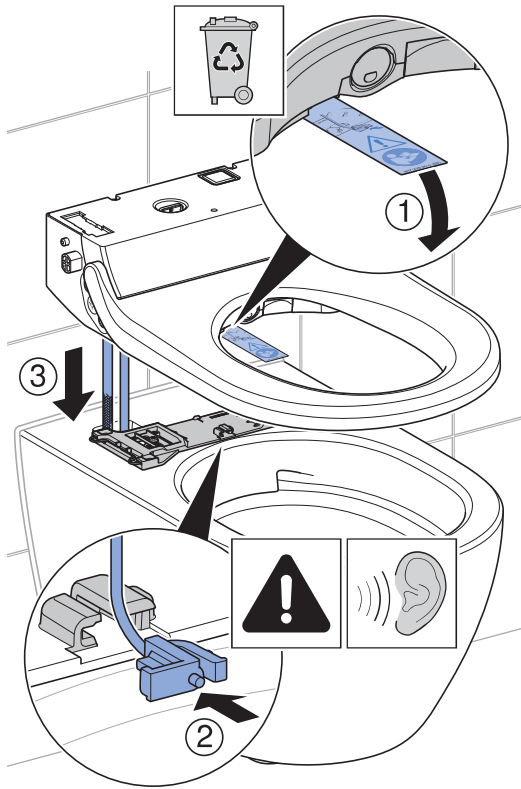
4



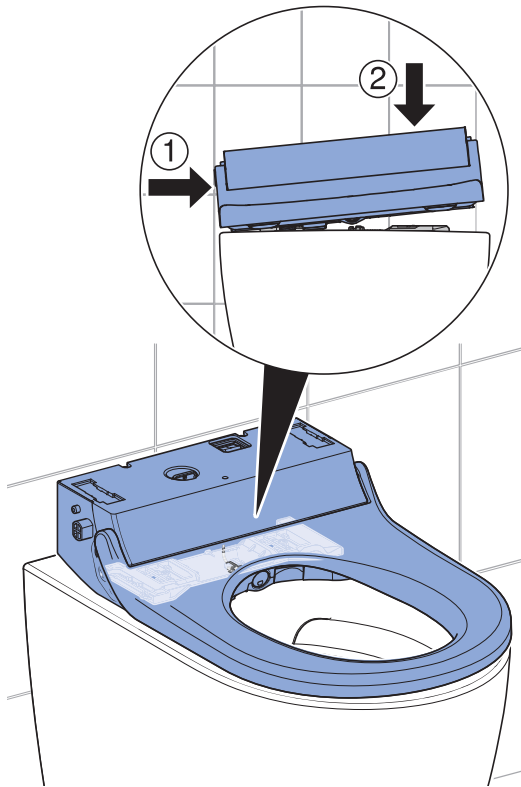
i



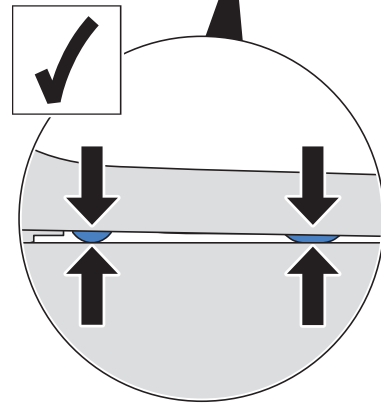
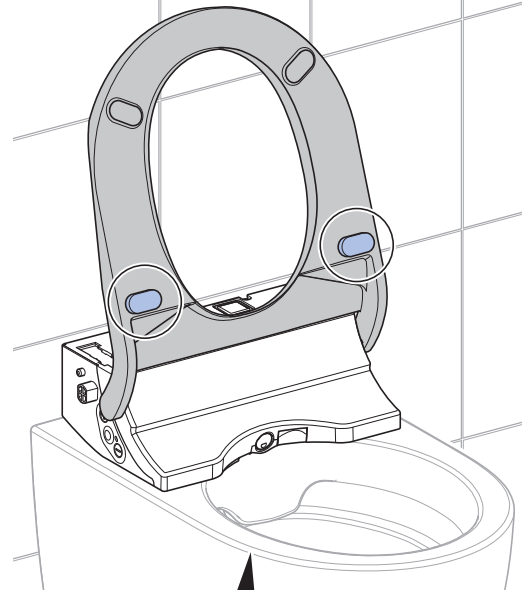
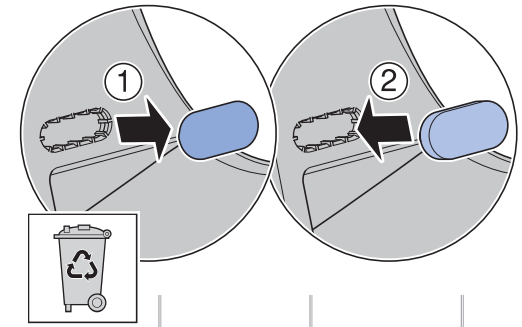
5



6



i



Function test

Switching on the device



WARNING

Hazardous voltage

Danger of electric shock due to water on exposed live parts.

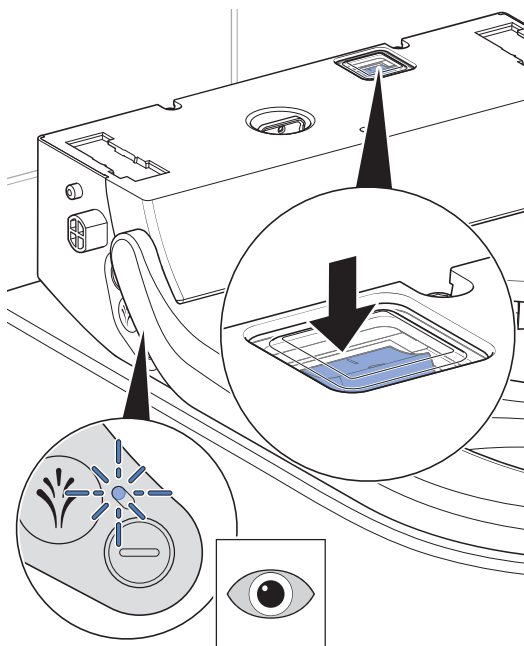
- ▶ Mount the removal limiter (safety rope) between the device and mounting plate before switching it on.
- ▶ After switching the device on for the first time, do not shake or tilt.
- ▶ The device contains water. Before removing the removal limiter for service purposes, switch off the device using the power switch.

Prerequisite

- The device has been mounted and connected.
- The WC lid is removed.
- The removal limiter is correctly engaged on the mounting plate.
- The water supply at the ball valve has been opened.

1

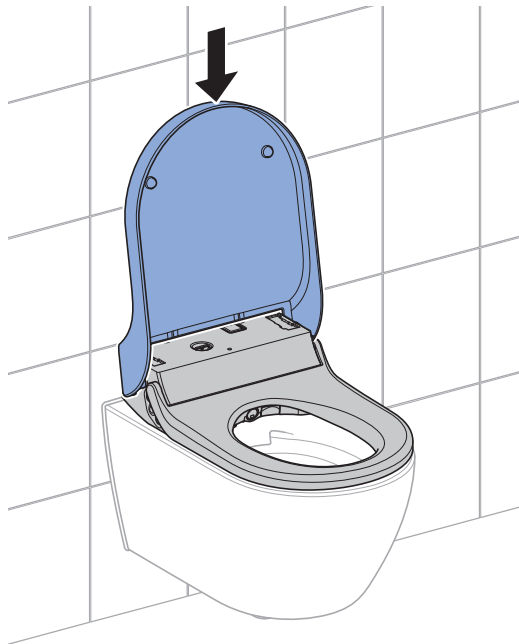
Switch on the device at the power switch.



- ✓ After about 5 seconds, the LED on the lateral control panel flashes blue. The device initialises.
- ✓ The device performs prerinsing.
- ✓ After the completion of the switch-on procedure, no LEDs are lit. The device is in economy mode.

2

Insert the WC lid.



If the LED flashes red, the device is defective. Do not attempt any device repairs. Inform customer service.

Simulating a user

i This section only applies to the Comfort model.

i For the following test steps, contact must be maintained with the WC seat as shown in order to simulate a user.

- The LED on the lateral control panel will light up blue.

▶ Place a hand flat on the marked position and keep it there.



Result

- ✓ The LED on the lateral control panel lights up blue and the odour extraction unit runs. A user is detected.
- ✓ The WC seat heating starts.

i The odour extraction unit stops and the LED goes out if no user is detected.

- Economy mode is active.

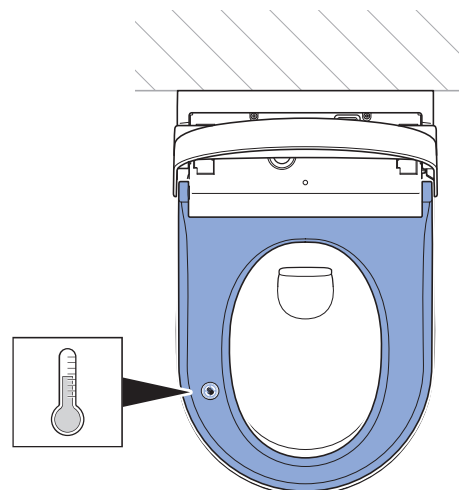
Testing the WC seat heating

i This section only applies to the Comfort model.

Prerequisite

- User is simulated.

▶ Test the WC seat heating.



Result

- ✓ After a few seconds of warm-up time, the WC seat is evenly and noticeably warmed.

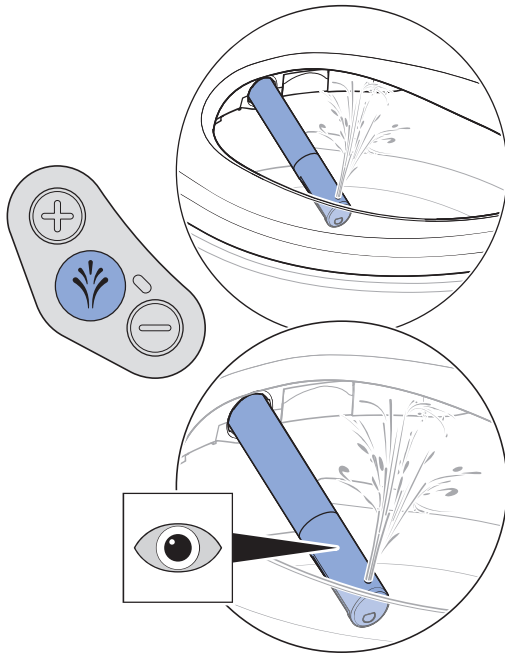
Testing the anal shower

Prerequisite

- Comfort model: User is simulated.

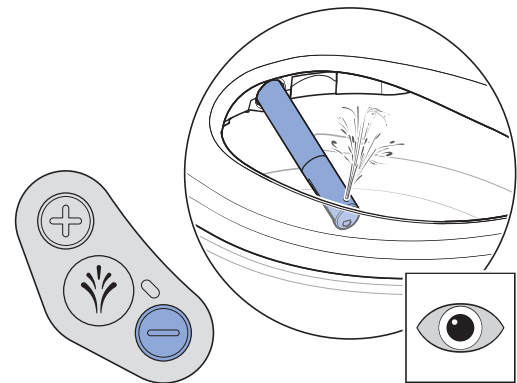
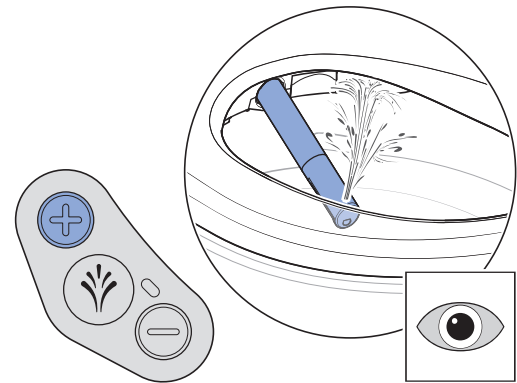
i A shower cycle ends after 50 seconds. If required, restart the shower cycle.

1 Briefly press the <Shower> button on the lateral control panel.

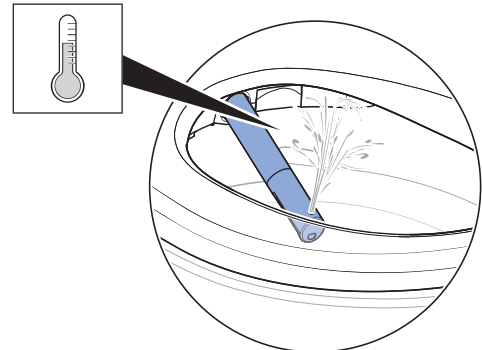


- ✓ The device performs prerinsing.
- ✓ The spray arm extends.
- ✓ The anal shower starts in oscillating function. A small amount of water drains into the WC ceramic appliance via the overflow. The anal shower is active for 50seconds.

2 Test adjustability of spray intensity.



3 Test shower water temperature.



Result

- ✓ The shower water is noticeably warm.
- ✓ The device performs a shower cycle. Pressing the <Shower> button again interrupts the shower cycle.
- ✓ After completing the shower cycle, the spray arm retracts.
- ✓ The device performs postrinsing.
- ✓ The dryer functionality starts after the shower procedure (Comfort model).

i If the shower water remains cold, the device is defective. Inform customer service.

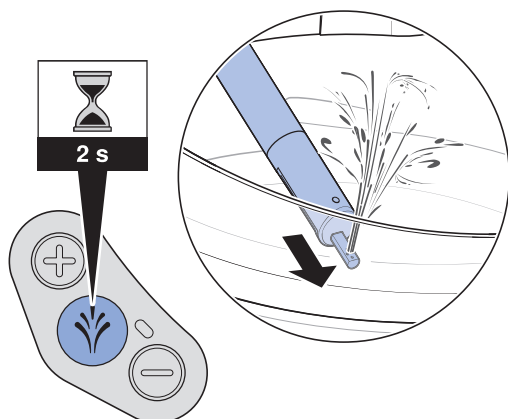
Testing the Lady shower

i This section only applies to the Comfort model.

Prerequisite

– User is simulated.

▶ Press the <Shower> button on the lateral control panel for 2 seconds.



Result

- ✓ The device performs prerinsing.
- ✓ The spray arm extends.
- ✓ The Lady shower starts. A small amount of water drains into the WC ceramic appliance via the overflow. The Lady shower is active for 30 seconds.
- ✓ The device performs a shower cycle. Pressing the <Shower> button again interrupts the shower cycle.
- ✓ After completing the shower cycle, the spray arm retracts.
- ✓ The device performs postrinsing.
- ✓ The device performs postrinsing.
- ✓ The dryer functionality starts after the shower procedure.

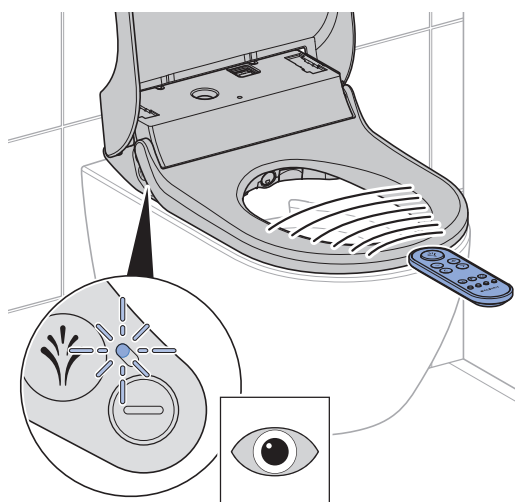
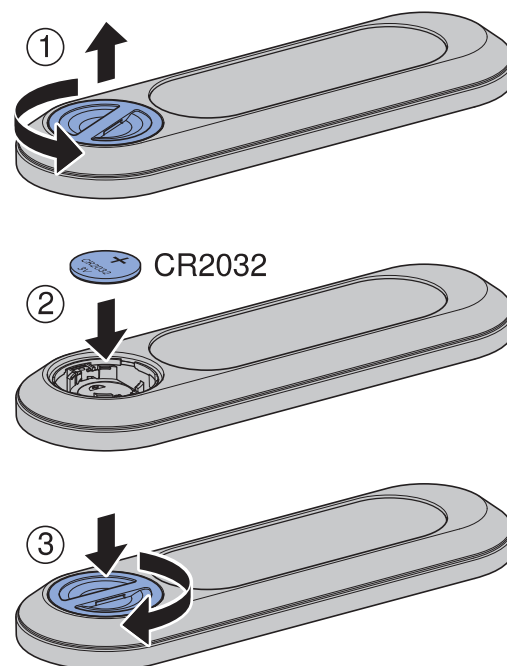
Activating the remote control

i This section only applies to the Comfort model.

Prerequisite

- The device is switched on.
- The LED on the lateral control panel does not light up. Economy mode is active.

▶ Insert battery.



Result

- ✓ The device beeps (1x).
- ✓ The LED on the lateral control panel lights up blue for several seconds.

i If several devices of the same type are installed in immediate proximity (e.g. in hotels), remote control must be assigned to a device.

i If the device does not beep and the LED on the lateral control panel does not light up blue for several seconds, then the remote control must be re-assigned.

Re-assigning the remote control

i This section only applies to the Comfort model.

If the device cannot be controlled using the remote control, then the remote control must be re-assigned.

- ▶ Press the <+> button on the remote control and the <+> button on the lateral control panel at the same time for approx. 10 seconds.



Result

- ✓ The device beeps (1x).
- ✓ The LED on the lateral control panel lights up blue for several seconds.

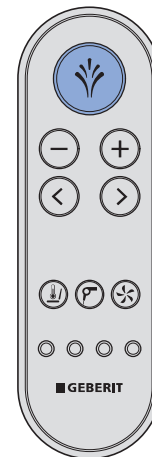
Testing the remote control

i This section only applies to the Comfort model.

Prerequisite

- The remote control has been set up.
- User is simulated.

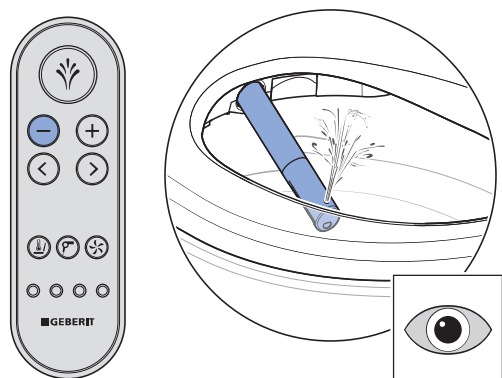
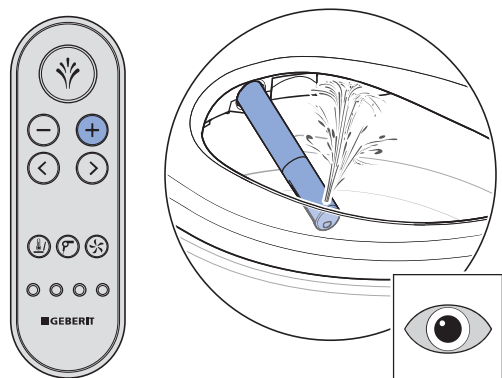
- 1 Press the <Shower> button briefly in order to start the anal shower with oscillating function.



- ✓ The device performs a shower cycle.

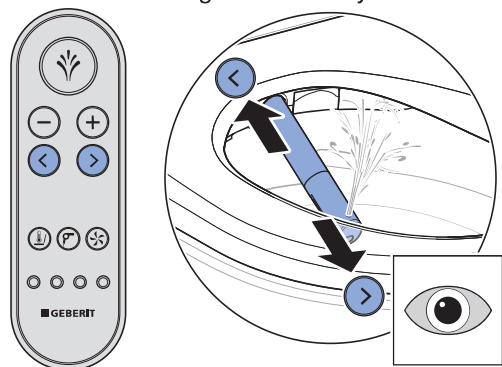
i A shower cycle ends after 50 seconds. If required, restart the shower cycle.

2 Test the <+>/<-> buttons.



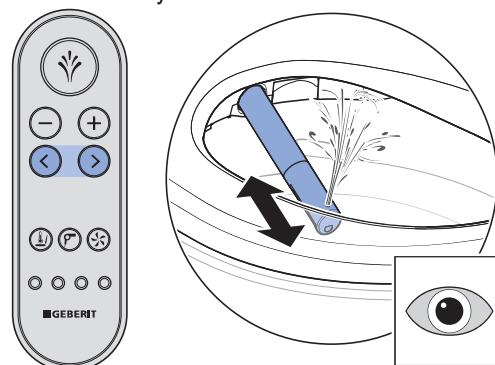
- ✓ During a shower cycle, the spray intensity can be increased or decreased.

3 Test the <left>/<right> arrow keys.



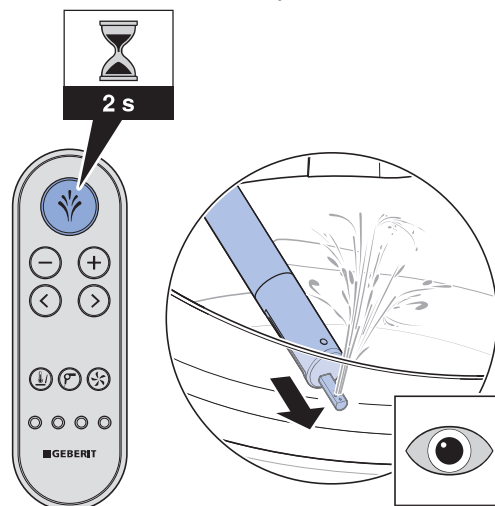
- ✓ The spray arm position can be set.

4 Start and stop the oscillating function by pressing the <right> and <left> buttons simultaneously.



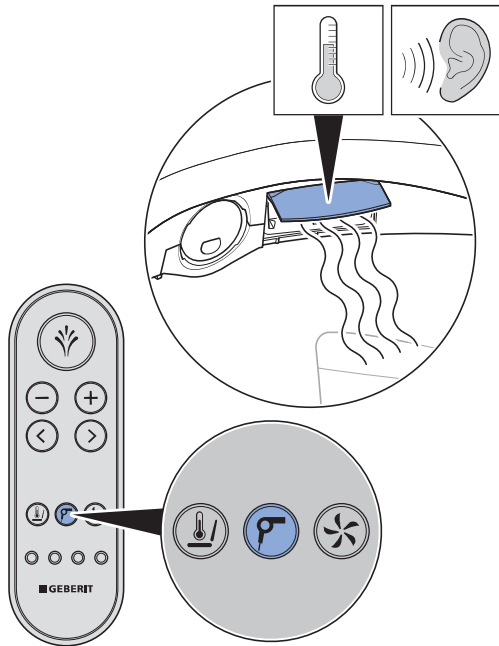
- ✓ The button combination switches the oscillating function on and off.

5 Press the <Shower> button for 2 seconds in order to activate the Lady shower function.



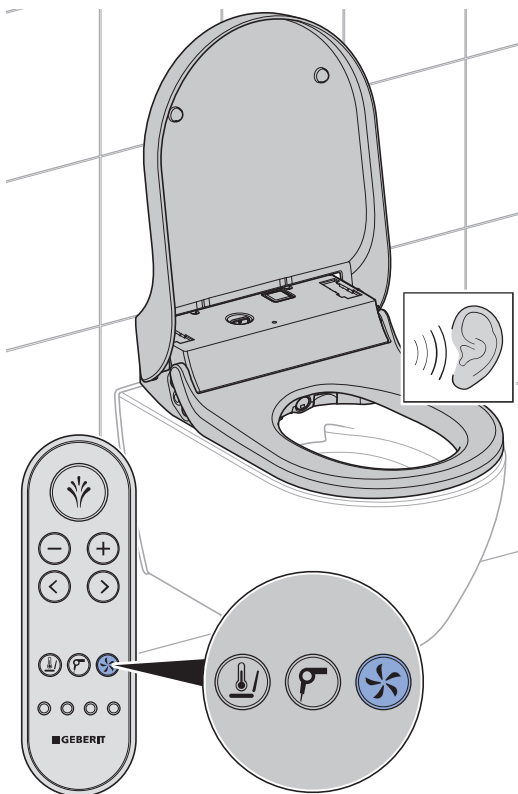
- ✓ The device performs a shower cycle. Pressing the <Shower> button again interrupts the shower cycle.

6 Test the dryer functionality. Press the <Dryer> button briefly.



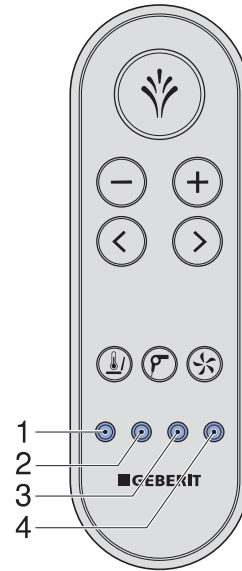
- ✓ The dryer functionality begins, and the dryer flap moves horizontally.
- ✓ Pressing the button again starts/ends the function.

7 Test the odour extraction function. Press the <Odour extraction> button briefly.



- ✓ Pressing the button again starts/ends the function.

8 Test the <User profile> 1–4 buttons. You can do this by activating the anal shower and pressing every button one after the other.



- ✓ Every <User profile> button has its own spray intensity and spray arm position setting.

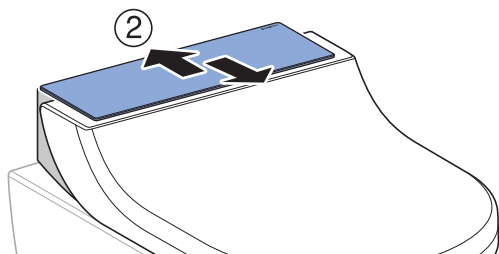
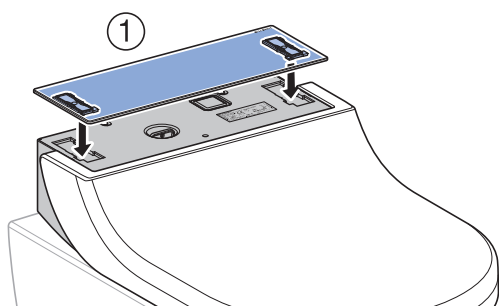
Commissioning

Putting the device into operation

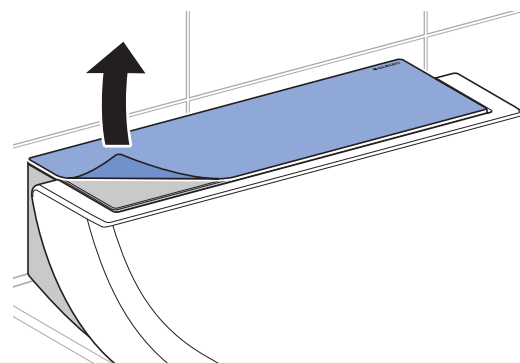
Prerequisite

- The function tests were performed successfully.
- The device is installed correctly.

- 1** Clean the device.
- 2** Close the WC seat and WC lid.
- 3** Mount the design cover.



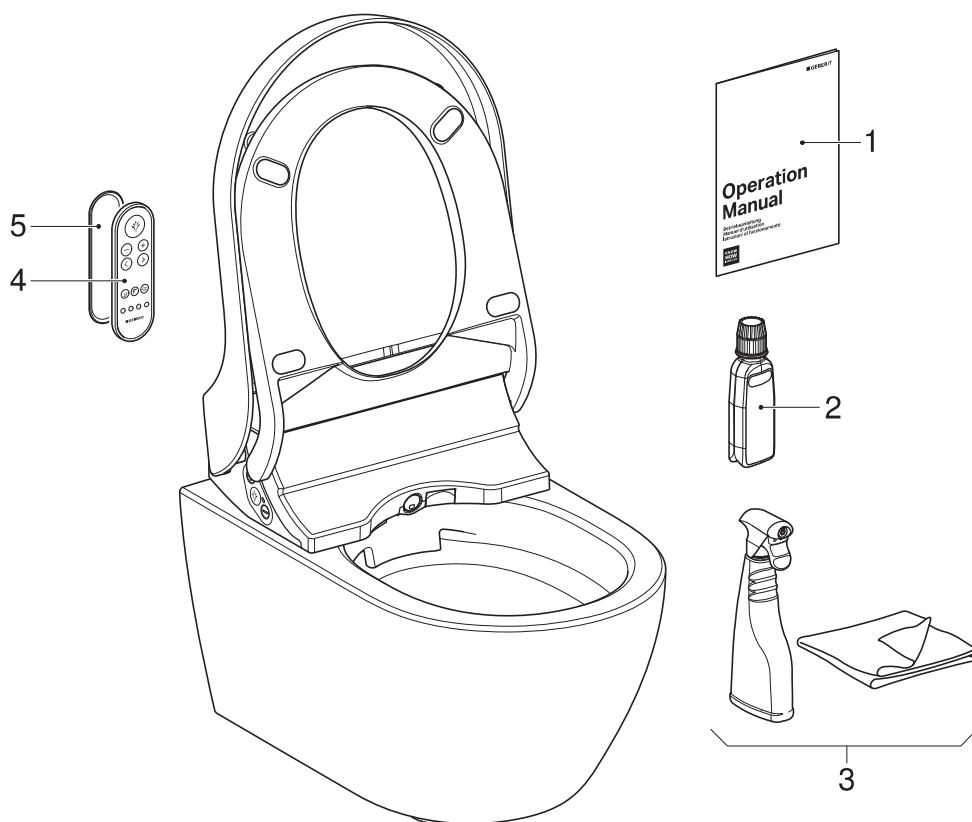
- 4** Remove the protective foil from the design cover.



Result

- ✓ The device is ready for operation and can be handed over to the customer.

Handing over the device



- 1 User manual
- 2 Geberit AquaClean descaling agent (Comfort)
- 3 Geberit AquaClean cleaning set (Comfort)
- 4 Remote control (Comfort)
- 5 Remote control wall-mounted holder (Comfort)

1 Attach a second serial number sticker to the last page of the user manual so that it is available for later use.

2 Instruct the customer with regard to operation and cleaning, as per the user manual.

i Provide information on the annual descaling cycle. For detailed information on operation and cleaning, see user manual.

3 Hand over complete end user documentation and scope of delivery.

4 Refer the customer to the warranty extension during registration. For information on registration options, see user manual.