

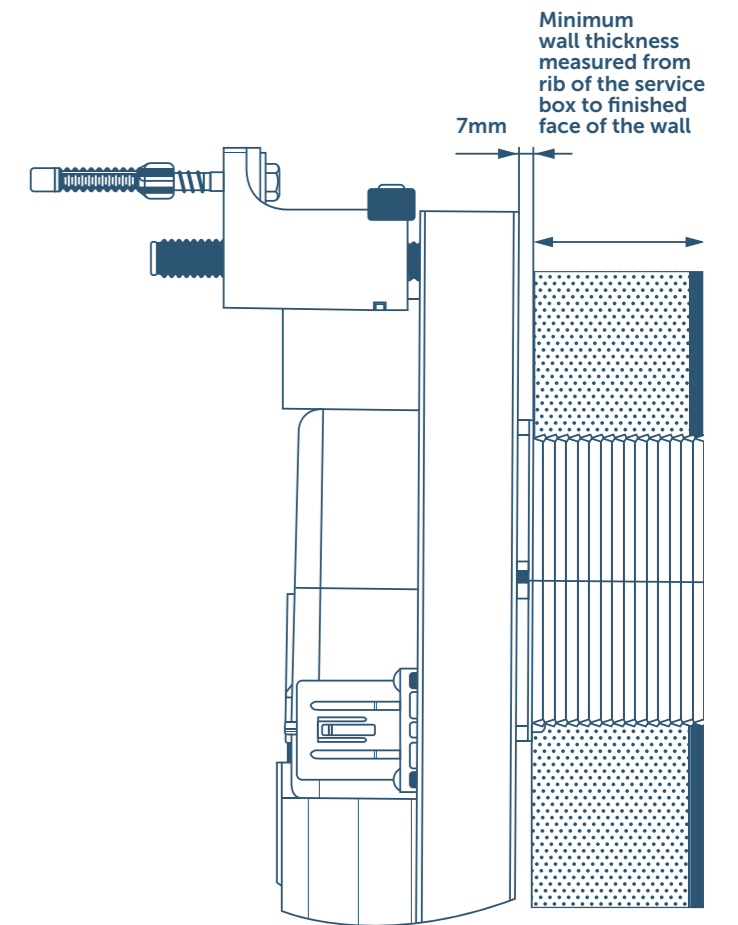
Flush Plates

Minimum wall thickness (mm)

M: mechanical actuation
 P: pneumatic actuation
 M F: mechanical front actuation
 M T: mechanical top actuation
 N/C: not compatible
 N/A: not applicable



Model	INSTALLATION ProSys® 1150 height mechanical	INSTALLATION ProSys® 1150 height pneumatic	INSTALLATION ProSys® 820 height mechanical Front actuation	INSTALLATION ProSys® 820 height pneumatic Front actuation	INSTALLATION ProSys® 820 height mechanical Top actuation	INSTALLATION ProSys® 820 height pneumatic Top actuation
Mechanical						
Oleas® M1	15		0		0	
Oleas® M2	15		0		0	
Oleas® M3	15		0		0	
Oleas® M4	15		0		0	
Septa Pro™ M1	0		0		0	
Septa Pro™ M2	0		0		0	
Pneumatic						
Oleas® P1		30		0		30
Oleas® P2		30		0		30
Oleas® P3		30		0		30
Solea® P2		25		0		20
Septa Pro™ P1		10		0		0
Septa Pro™ P2*		N/A		N/A		N/A
Septa Pro™ P3*		N/A		N/A		N/A
Septa Pro™ P4*		N/A		N/A		N/A
Septa™ XS P1*		N/A		N/A		N/A
Septa™ XS P2*		N/A		N/A		N/A
Electronic						
Septa Pro™ E1	10	10	N/C	N/C	N/C	N/C
Septa Pro™ E2	10	10	N/C	N/C	N/C	N/C
Symfo® NT1	10	10	N/C	N/C	N/C	N/C
Symfo® NT2	10	10	N/C	N/C	N/C	N/C



*No minimum wall thickness required as flush plate is not installed in front of the cistern.
 An inspection plate is required to access the cistern.
 Electronic plates are only compatible with full height frames and 120 cisterns
 See diagram to the right and take account of the 7mm measurement for the rib of the service box